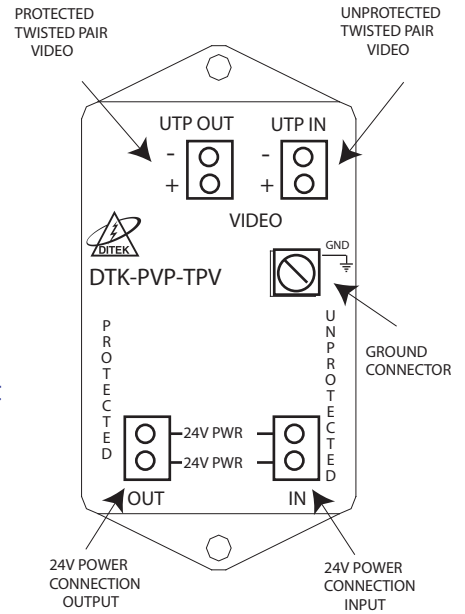


DITEK PVP-TPV

Installation Instructions

1. Check the cable signal before and after the installation of the PVP-TPV to insure proper install and no signal distortion.
2. Securely mount this unit between the field wiring and the equipment to be protected. Use a minimum #14 AWG wire from the ground connector to the common Earth ground, with 25 ohms or less.
3. Connect the unprotected UTP wiring from the field to the IN + and IN - .
4. Connect the protected UTP wiring to the equipment to be protected to the OUT+ and OUT- respectively. Allow a minimum of 3 wire feet between the PVP-TPV and the protected equipment. This will allow the unit time to react.
5. Make sure the wire distance from the surge protector to protected equipment is greater than the wire distance from the surge protector to ground.
6. Always use one common ground per system to eliminate the possibility of a differential in ground potentials.
7. For mounting, use double-sided tape (supplied), or two #8 screws (not supplied).
8. For further information or technical support please call 1-888-472-6100.



Diversified Technology Group, Inc.

1720 Starkey Road Largo, Florida 33771
Tel. 727-812-5000 Fax 727-812-5026

TITLE:

Installation Instructions For Ditek PVP-TPV

MATERIAL:

APPROVED BY:

FINISH:

DRAWN BY:

DATE:

REVISED:

DWG NO.

PART NO.

REV.

RWM

5-20-03

10-8-03

INT-100058-001

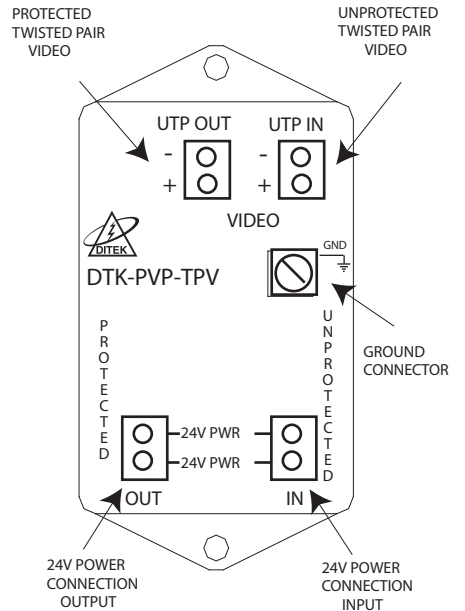
191500

1

DITEK PVP-TPV

Installation Instructions

1. Check the cable signal before and after the installation of the PVP-TPV to insure proper install and no signal distortion.
2. Securely mount this unit between the field wiring and the equipment to be protected. Use a minimum #14 AWG wire from the ground connector to the common Earth ground, with 25 ohms or less.
3. Connect the unprotected UTP wiring from the field to the IN + and IN - .
4. Connect the protected UTP wiring to the equipment to be protected to the OUT+ and OUT- respectively. Allow a minimum of 3 wire feet between the PVP-TPV and the protected equipment. This will allow the unit time to react.
5. Make sure the wire distance from the surge protector to protected equipment is greater than the wire distance from the surge protector to ground.
6. Always use one common ground per system to eliminate the possibility of a differential in ground potentials.
7. For mounting, use double-sided tape (supplied), or two #8 screws (not supplied).
8. For further information or technical support please call 1-888-472-6100.



Diversified Technology Group, Inc.

1720 Starkey Road Largo, Florida 33771
Tel. 727-812-5000 Fax 727-812-5026

TITLE:

Installation Instructions For Ditek PVP-TPV

MATERIAL:

APPROVED BY:

FINISH:

DRAWN BY:

DATE:

REVISED:

DWG NO.

PART NO.

REV.

RWM

5-20-03

10-8-03

INT-100058-001

191500

1