



Six Outlet Series

6-Outlet Plug-In Surge Protection General Product Specifications

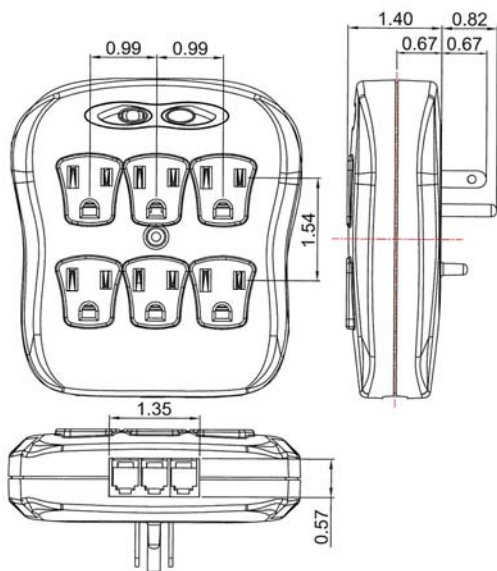
DITEK's six outlet wall-mount surge protector offer complete protection to suit various needs. Hybrid circuitry provides excellent point of use protection.



DTK-6FF

Application Features

- Protects AC Power and RJ11 Telco (1 line with splitter)
- Wall mount – duplex outlet becomes six surge protected outlets
- Center screw secures surge protector to outlet housing
- Diagnostic LED indicates ground presence and suppressor function
- Ten Year Limited Warranty



Specifications

Agency Approvals:	UL1449 3 rd Edition
Service Voltage:	110-120VAC
MCOV:	127VAC
Connection:	Direct plug-in (AC); RJ11 (Telco)
Continuous Current:	15 Amps
Max Surge Current:	30,000 Amps
Protection Modes:	L-G, L-N, N-G (AC) Tip-G, Ring-G (Telco)
U.L. 1449 VPR:	400V
Dimensions:	4.8" x 4.33" x 1.4" (122mm x 110mm x 36mm)
Weight:	.44lb (200g)
Housing:	ABS