



Z120

120kA/ Φ , 60kA/Mode Surge Protective Device General Product Specifications

DITEK's Z120 industrial Surge Protective Devices (SPDs) are designed to provide robust electrical system suppression in the most demanding environments. The Z120 incorporates noise filtration and individually fused components for maximum performance. Available in a wide range of voltage configurations and offering a variety of options, the Z120 is an excellent choice for electrical panel applications.



Z120

Product Features

- Suitable for use on service entrance, distribution and branch panels
- EMI/RFI filtering benefits sensitive industrial, and commercial equipment
- Compact size enables close mounting to the electrical panel to minimize wire length and maximize performance
- 120,000 Amp peak surge current capacity ensures long service life
- Available in 5 voltage configurations
- Diagnostic LEDs, one per phase, audible alarm with enable/disable switch, and surge counter indicate system power and SPD function.
- Dry Relay Contacts for remote notification of SPD condition.

Specifications

Agency Approvals: UL 1449, 3rd Edition
IEEE Location Category: Category B and C
Protector Type: SPD Type 2
Peak Surge Current: 120 kA/Phase, 60 kA/Mode
Short Circuit Current Rating: 200,000 A
Suppression Modes: All Modes: L-G, L-N, L-L, N-G
EMI/RFI Filtering: Yes
Connection: #12 - #2 AWG terminals
Operating Frequency: 50 Hz – 60 Hz
Storage Temp: -40° F to 149° F (-40° C to 65° C)
Operating Temp. -4° F to 149° F (-20° C to 65° C)
Weight: NEMA 3R 26.3 lb; w/ Integral Switch 34 lb
Housing: NEMA 3R Steel
Warranty: Ten Year Limited Warranty
Options: NEMA 4X stainless steel enclosure, Integral Switch



Z120

**120kA/ Φ , 60kA/Mode Surge Protective Device
General Product Specifications**

Wye products without Integral Switch

Z120 Surge Protection

Dimensions:

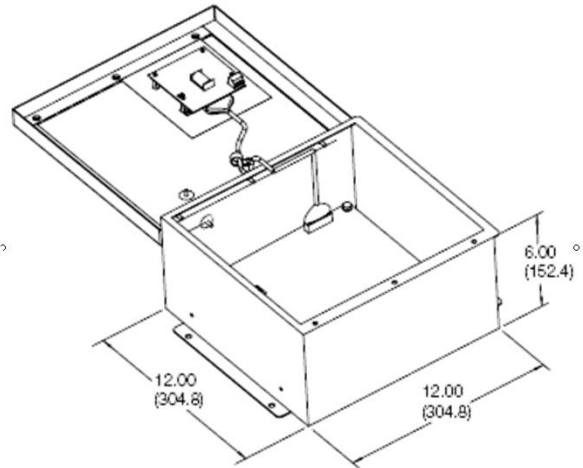
12.0"H x 12.0"W x 6.0"D
(30.5cm x 30.5cm x 15.3cm)

Dimensions w/ Integral Switch Option:

16.65"W x 22.0"H x 6.0"D
(41.1cm x 55.0cm x 15.3cm)

Option Codes:

- D: Integral Switch
- X: NEMA 4X Enclosure
- DX: NEMA 4X Enclosure with Integral Switch



Ordering Example:

Z120-2083Y-DX: Z120 for three phase Wye, 4W+G, 120/208V system with NEMA 4X housing & Integral Switch

Technical Specifications

Z120-	Voltage Configuration	MCOV	UL 1449, 3 rd Edition I _n Rating	UL 1449, 3 rd Ed. Voltage Protection Rating (VPR)			
				L-N	L-G	N-G	L-L
2401	120/240VAC Split Φ	150/300V	20kA	700V	700V	700V	1200V
2083Y¹	120/208VAC Three Φ Wye	150/300V	20kA	700V	700V	700V	1200V
240HL	120/240VAC Three Φ High Leg Delta	150/300V 270/300V	20kA	700V/ HL1200V	1200V/ HL1000V	700V	1200V/ HL1500V
4803Y²	277/480VAC Three Φ Wye	320/640V	20kA	1200V	1200V	1200V	2000V
6003Y	347/600VAC Three Φ Wye	420/840V	20kA	1500V	1500V	1500V	2500V

¹ Also suitable for 127/220V Wye systems

² Also suitable for 220/380V, 230/400V, and 240/415V Wye systems

